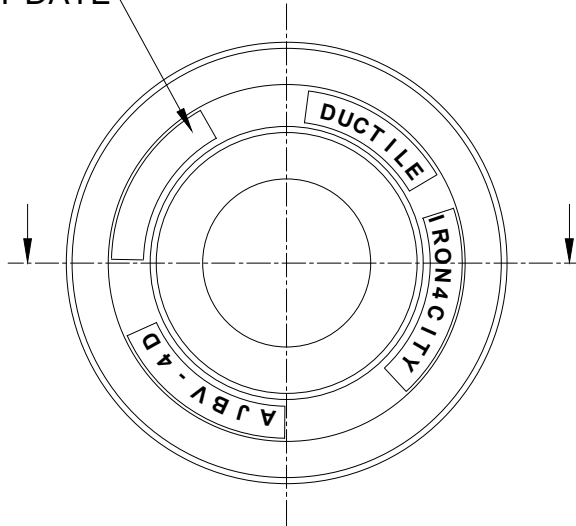
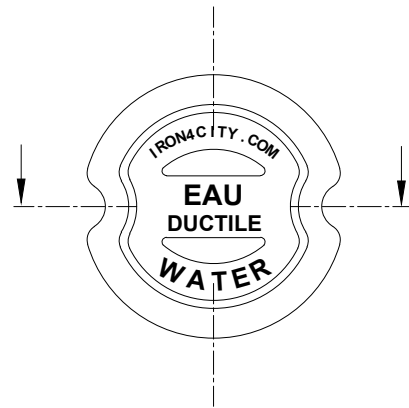


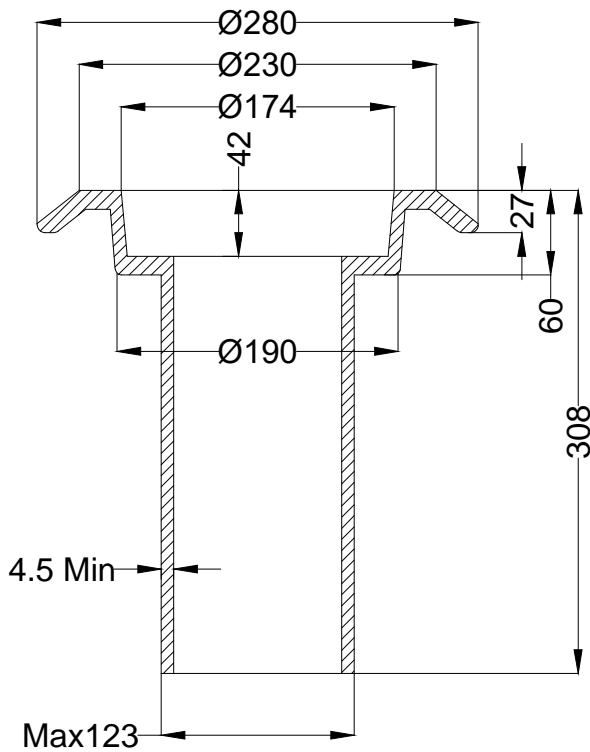
H NO.
CAST DATE



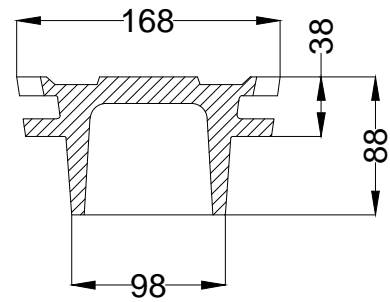
PLAN VIEW



LID



**FLOATING
EXTENSION PIPE**



**LID FOR
FLOATING
EXTENSION PIPE**

NOTES:-

- All Markings are Minimum 12.7 mm for Body & 6.4 mm for Lid
- All Dimensions as per BNQ 3221-500/2017

			IRON4CITY.COM	
C	Add 'DUCTILE' Marking on LID	06.08.2022	DATE	15.01.2020
B	LID Ductile Iron ASTM A536	06.08.2022	PRODUCT	AJBV - 4D
A	BODY Ductile Iron ASTM A536	21.07.2020	Lid Weight	5 kg
REV. No.	DESCRIPTION	DATE	Body Weight	12 kg
				DUCTILE IRON (ASTM A-536 65-45-12)